

4

3

2

1

THIS DRAWING IS UNPUBLISHED.

RELEASED FOR PUBLICATION

© COPYRIGHT BY TYCO ELECTRONICS CORPORATION. ALL RIGHTS RESERVED.

TOLERANCE UNLESS OTHERWISE SPECIFIED:
一般公差0 < x ≤ 10 : ±0.2
10 < x ≤ 30 : ±0.25
30 < x ≤ 100 : ±0.3
ANGLE : ±3°
角度LOC
JDIST
—

REVISIONS

概要

P	LTR	DESCRIPTION	DATE	DWN	APVD
B1		REDRAWN W/CHANGE	FJA0-0052-04	09FEB04	TS KB

1. 嵌合相手型番: 174984
2. 本品はプラグハウジング単体にシールリングがアッセンブリされたものである。
3. 本品はダブルロックプレート型番 174983を装着して使用する。

1. FOR CAP HOUSING PN 174984
2. THIS PART IS COMPOSED OF PLUG HOUSING AND SEAL RING
3. THIS PART MUST BE USED WITH DOUBLE LOCK PLATE PN 174983

黒 BLACK	174982-2
色 COLOR	型番 PN

THIS DRAWING IS A CONTROLLED DOCUMENT.		DWN T.SHINOHARA 09FEB04	Tyco Electronics AMP K.K. Kawasaki, Japan	
DIMENSIONS: 単位: 概 MM		CHK K.BETSUI 09FEB04	NAME 名称 8Pos. ECONOSEAL J-MARKII+ CONNECTOR PLUG HOUSING	
TOLERANCES UNLESS OTHERWISE SPECIFIED: 一般公差		APVD K.BETSUI 09FEB04	PRODUCT SPEC 製品規格 108-5262	
0 PLC ± - 1 PLC ± - 2 PLC ± - 3 PLC ± - 4 PLC ± - ANGLES ± -		APPLICATION SPEC 取付適用規格 114-5082	SIZE A3	CAGE CODE 00779
MATERIAL 材料 PBT	FINISH 仕上	WEIGHT 11g	DRAWING NO 番号 C-174982	
CUSTOMER DRAWING			RESTRICTED TO —	SCALE 尺度 2:1
			SHEET 1 OF 2	REV B1

AMP 1470-19 REV 31MAR2000

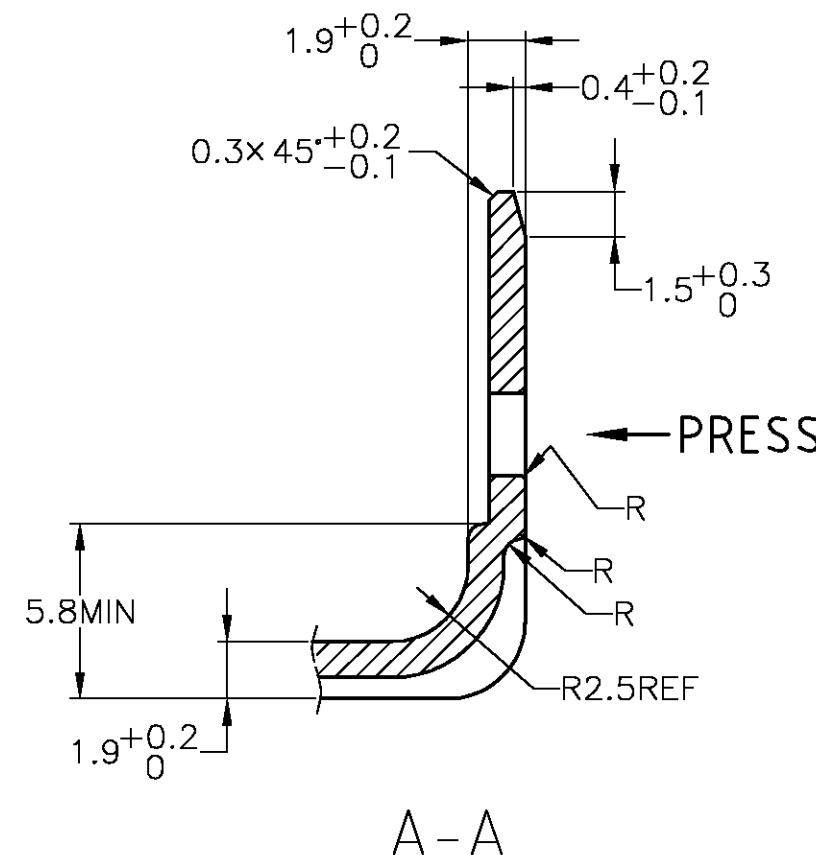
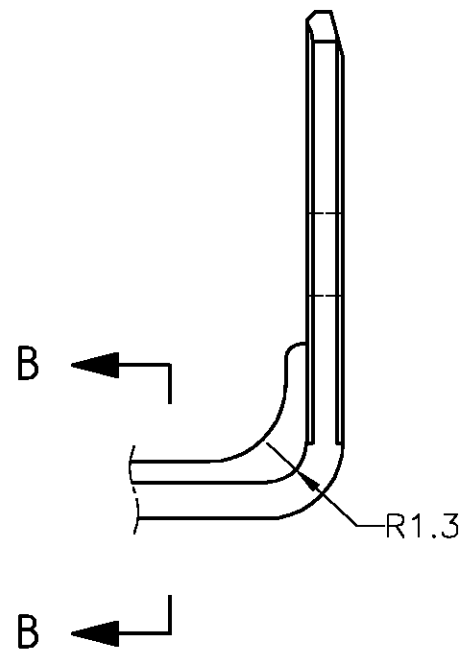
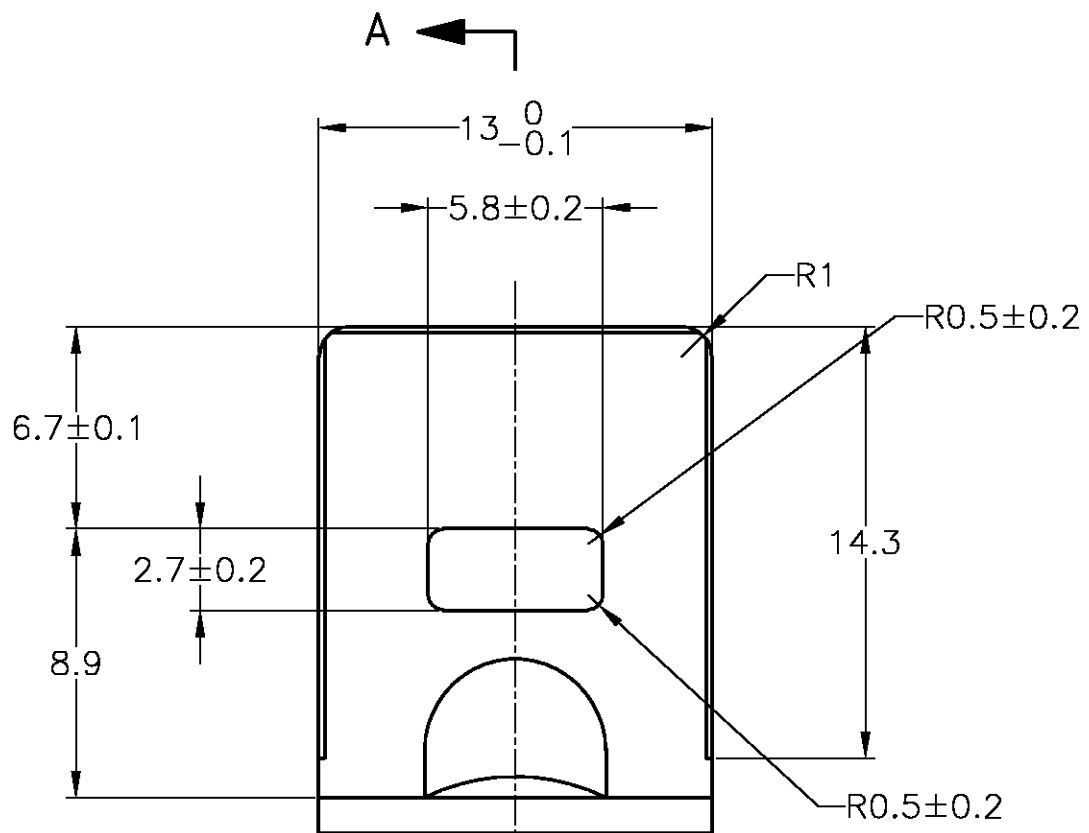
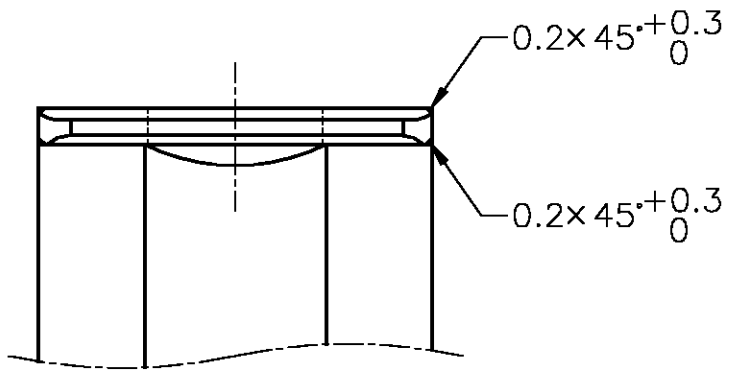
15JAN2004 2:03pm FJ029188

S:\AMP-KawasakiEC\Automotive\en32_automotive\u.a99-0187\0052-04\c-174982-sh1.dwg

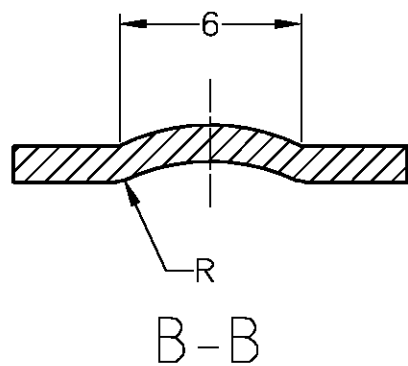
THIS DRAWING IS UNPUBLISHED. RELEASED FOR PUBLICATION
 © COPYRIGHT BY TYCO ELECTRONICS CORPORATION. ALL RIGHTS RESERVED.

LOC	DIST	REVISIONS					
		P	LTR	DESCRIPTION	DATE	DWN	APVD
J	-	-	-	SEE 1 OF 2	-	-	-

ブラケット推奨寸法図
 RECOMMENDED DIMENSION OF BRACKET



t = 1.2 ± 0.08



TOLERANCE UNLESS OTHERWISE SPECIFIED: 一般公差

0 < x ≤ 10	: ±0.2
10 < x ≤ 30	: ±0.25
30 < x ≤ 100	: ±0.3
ANGLE ; 角度	: ±3°

THIS DRAWING IS A CONTROLLED DOCUMENT.		DWN T.SHINOHARA 09FEB04	tyco Tyco Electronics AMP K.K. Kawasaki, Japan	
DIMENSIONS: 単位: 概 MM		CHK K.BETSUI 09FEB04	NAME 名称 8Pos. ECONOSEAL J-MARKII+ CONNECTOR PLUG HOUSING	
TOLERANCES UNLESS OTHERWISE SPECIFIED: 一般公差		APVD K.BETSUI 09FEB04	SIZE A3	CAGE CODE 00779
0 PLC ± -		PRODUCT SPEC 製品規格	DRAWING NO 番号 C-174982	RESTRICTED TO -
1 PLC ± -		APPLICATION SPEC 取付適用規格	SCALE 尺度 4:1	
2 PLC ± -		WEIGHT	SHEET 2 OF 2	REV B1
3 PLC ± -		CUSTOMER DRAWING		
4 PLC ± -				
ANGLES ± -				
MATERIAL 材料	FINISH 仕上			